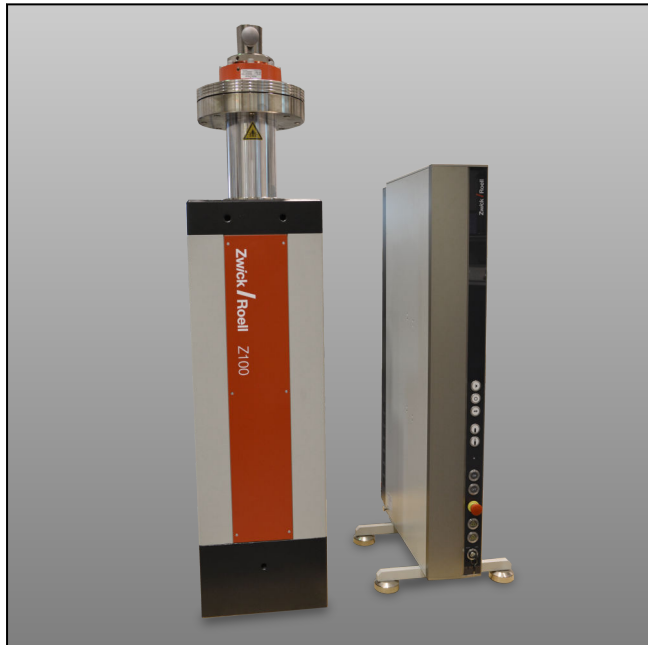


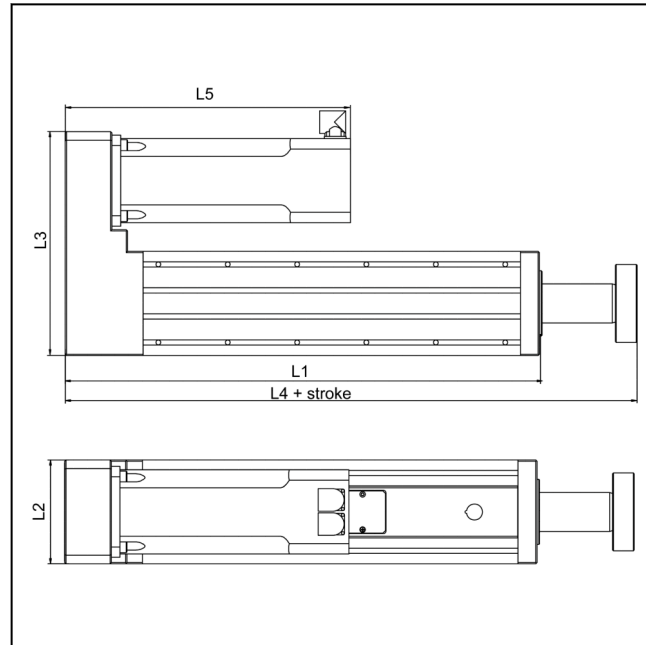
Product Information

Electro-mechanical testing actuator EZ100

CTA: 107188 76180



Electro-mechanical testing actuator



Drawing of electro-mechanical testing actuator

Range of application

Multi-purpose testing axis for tensile and compression applications. For variable integration in test stands, production lines or customized constructions. Dedicated for force/travel measurements with high demands on resolution, accuracy and speed.

Typical application areas:

- Testing of materials, assemblies, components and complete end products
- Manufacturing processes with measurement performance (e.g. automatic assembly, mounting)
- Cyclic tests with large strokes

Advantages and features

Flexible usage:

- Variable mounting via front or rear flange or via trunion mount
- measurement and control electronics testControl II in separate casing and therewith optional positionable (Optional in IP54 casing)
- Flexible programming of test sequences due to versatile interfaces
- Ideally usage for clean room areas

High performance:

- Forces up to 100 kN
- High resolution measurement and control electronics *testControl II* for precise data acquisition with up to 2000 Hz
- Closed loop control of force and travel with smooth switching between those modes

Integration in production lines:

- Optional plug-in card provides freely definable digital inputs and outputs
- Easy integration of additional measurement devices (e.g. digital multi-meters)

Large variety of standard modules:

- Easy mounting of ZwickRoell load cells and tooling
- Operation via standard PC and testXpert III software
- Proven digital drive technology controlled by Zwick-Roell standard electronics

Easy to install and maintain:

- Installation possible without additional infrastructure (like e.g. hydraulic pumps or pneumatic connections)
- Low maintenance costs and long lifetime

Product Information

Electro-mechanical testing actuator EZ100

Series IV	EZ100	
Electromechanical servo testing actuator		
Test load F_{max} in tensile/compression	100	kN
Permissible transverse force at maximum stroke	2500	N
Test speed v_{max}	25	mm/s
Travel resolution	0.615	μ m
Position repetition accuracy with reversal of direction	± 0.014	μ m
L1 – Length	950	mm
L2 – Width	296	mm
L3 – Depth	510	mm
L4 – Length incl. piston rod	1183	mm
L5 – Length incl. motor	573	mm
Overall weight, approx.	420	kg
Piston stroke, max.		
- Standard	200	mm
- Alternative	400	mm
Ambient temperature	+10 to +35	$^{\circ}$ C
Air humidity	20 to 90	%
testControl II measurement and control electronics		
Measurement range	≤ 165	%
Internal recording rate	400	kHz
Measurement value transmission rate to PC, adjustable	500 (optionally 2000)	Hz
Electrical connection	400	V, 3 Ph/N/PE
Power consumption, max.	5000	VA
Power frequency	50/60	Hz
Item No.		
Standard piston stroke (200 mm)	1023385	
Alternative piston stroke (400 mm)	3001085	

Optional accessories

Description	ArticleNumber
IP54 casing	1026595
Remote control	1025096